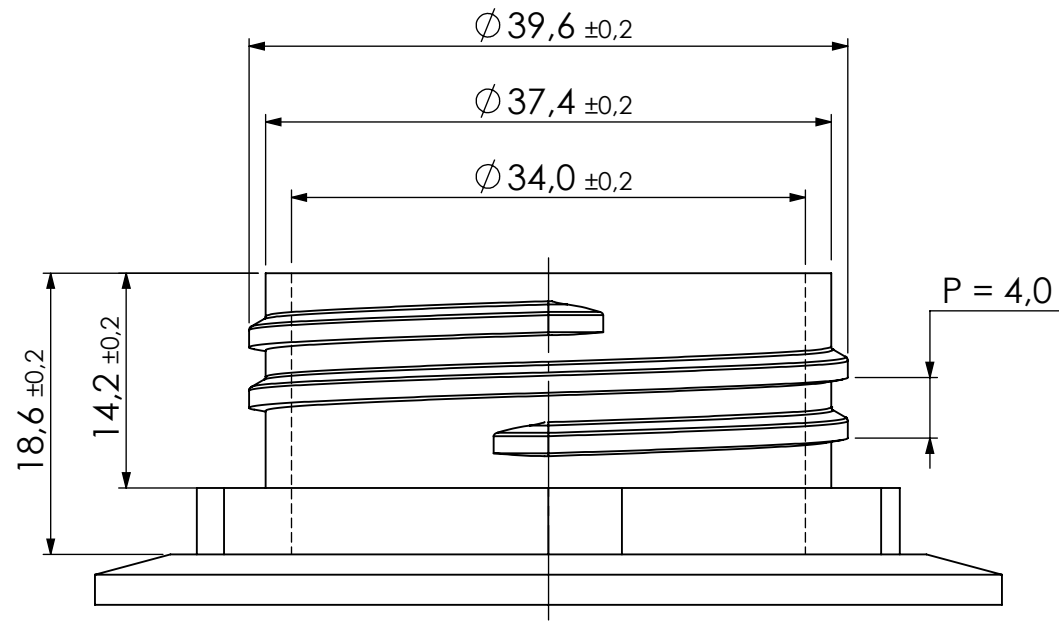
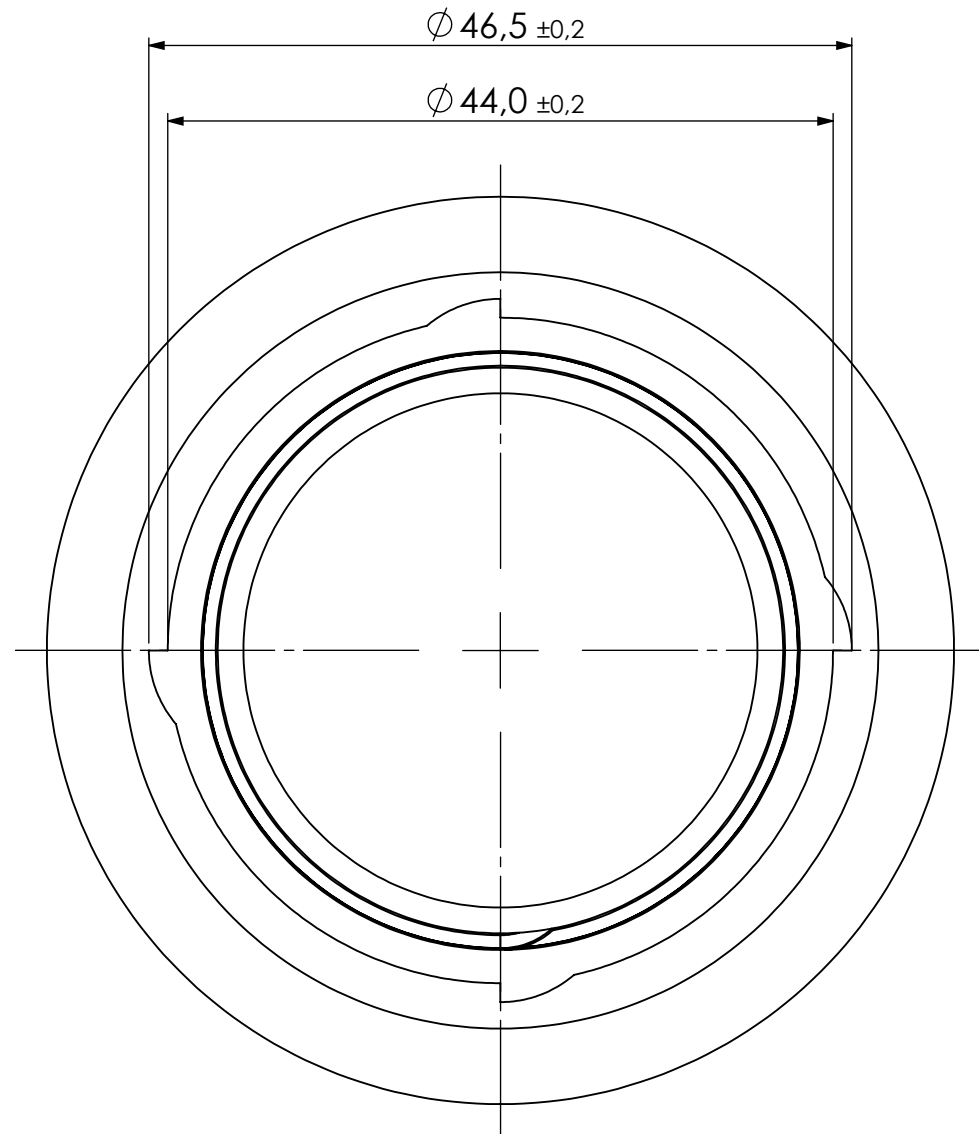


No.	Quantity	Changed / CS No	Date	Sign.	Appr.
-----	----------	-----------------	------	-------	-------



**Very Important**

The neck dimensions shown are those which have generally been found to be functional but each closure/finish system should be individually evaluated. Neck finishes having dimension outside these ranges can also be appropriate for use, therefore the bottle neck drawing is only a recommendation.



This recommendation is for following closure: 40P

General tolerance: SS-ISO 2768-1 m

<b>Modulpac AB</b> Industrigatan 11 SE-340 14 Lagan Sweden tel. +46-(0)372-25500 fax. +46-(0)372-25501	Scale	Drawn by	Appr.		Material	Date
	2:1	JL				101028
	Name					Format
40P Neck					A3	1
					Drawing No.	
					40PHALS-2	