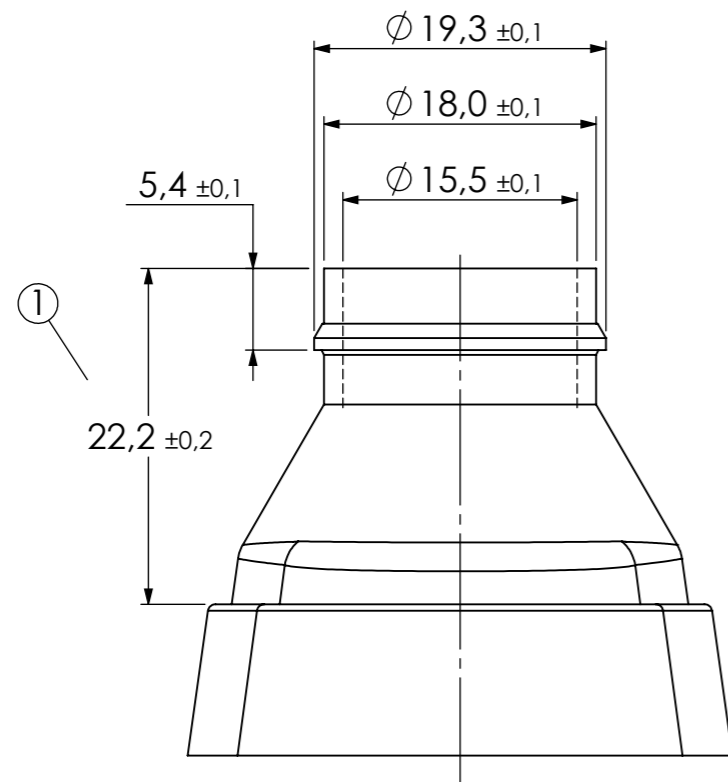


No.	Quantity	Changed / CS No	Date	Sign.	Appr.
1	2	Measure 22,2 before 21,3, general tol. added	070328	JL	
2	1	New drawing, Note added	090414	JL	
3	1	Note added	100129	JL	



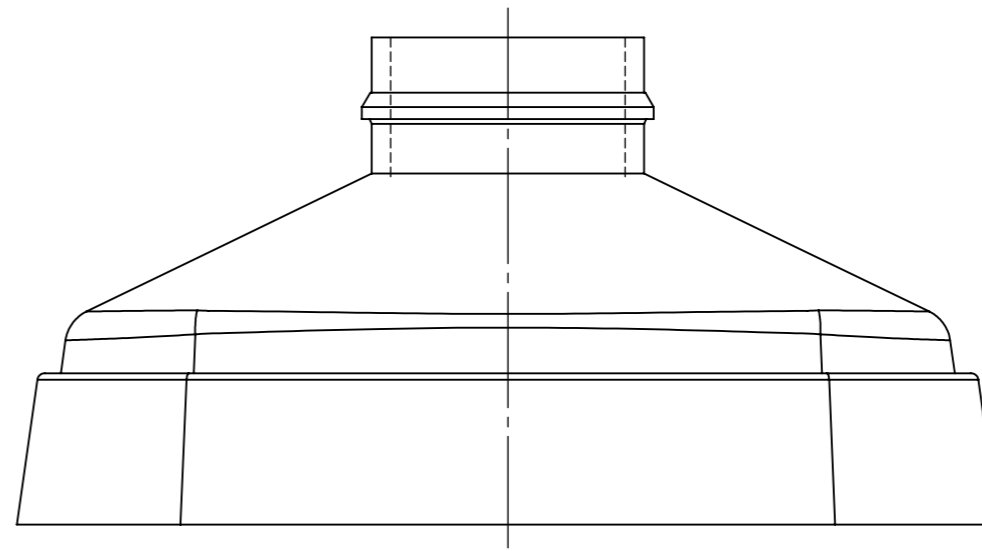
②

Very Important

The neck dimensions shown are those which have generally been found to be functional but each closure/finish system should be individually evaluated. Neck finishes having dimension outside these ranges can also be appropriate for use, therefore the bottle neck drawing is only a recommendation.

③

This recommendation is for following closures: 25SH, 40SH



①

General tolerance: SS-ISO 2768-1 m

Modulpac AB Industrigatan 11 SE-340 14 Lagan Sweden tel. +46-(0)372-25500 fax. +46-(0)372-25501	Scale	Drawn by	Appr.		Material	Date
	2:1	UM				000619
	Name					Format
40SH / 25SH Neck std					A3	4
					Drawing No.	
					4025SHHALS	