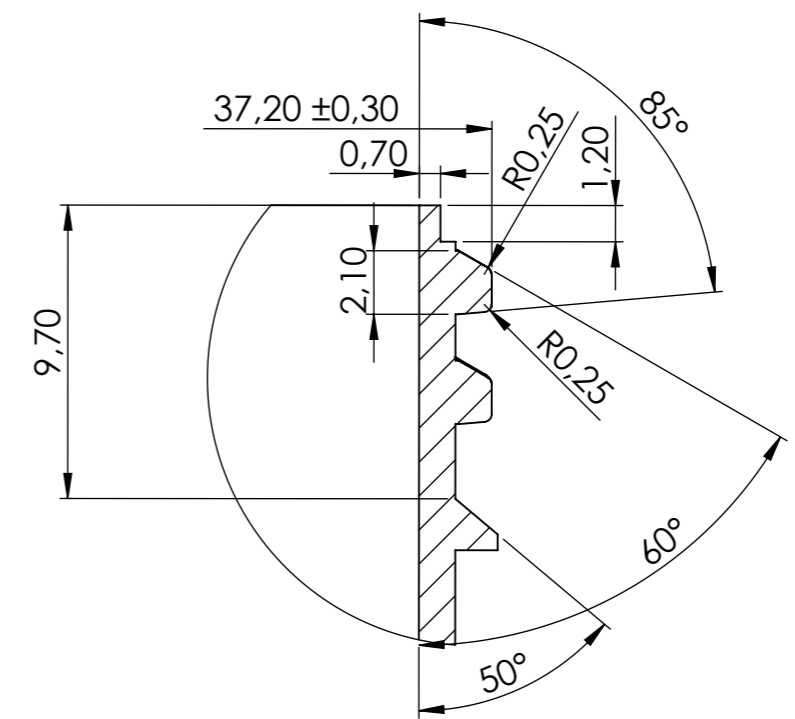
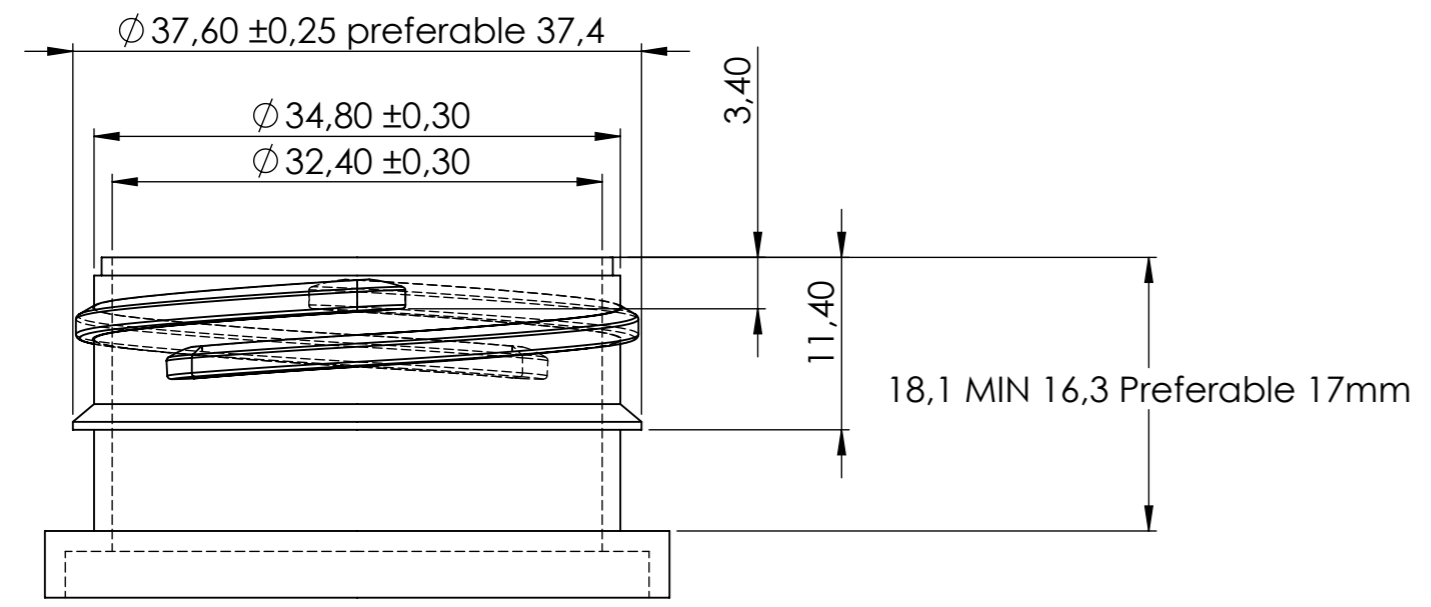
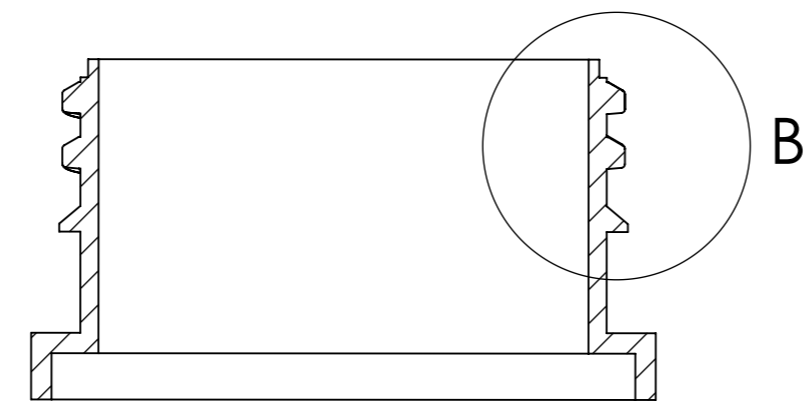
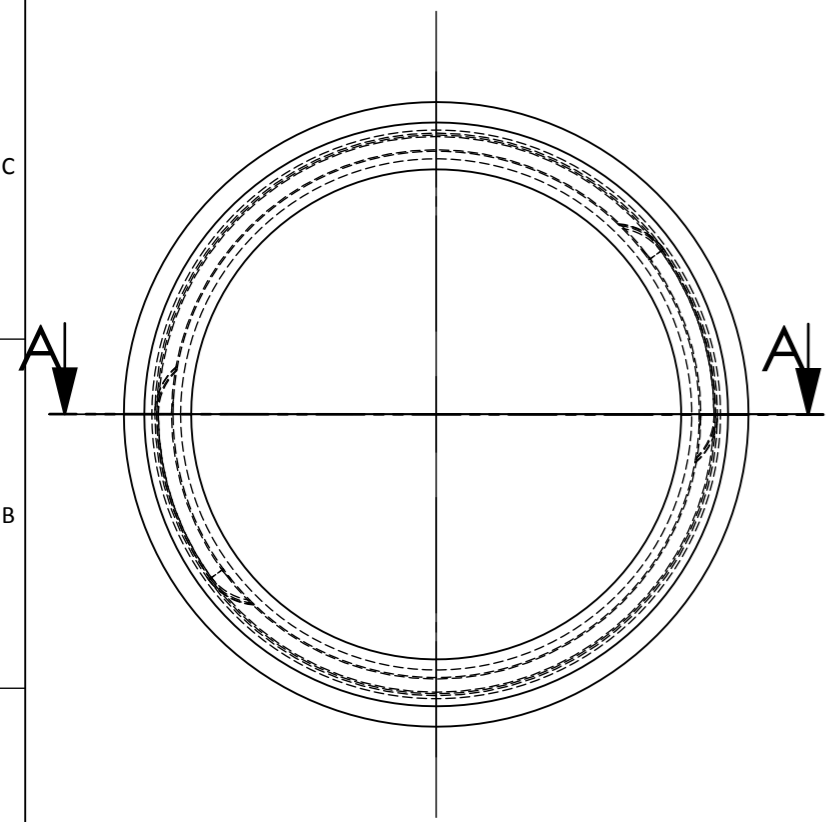


Revision	Revised by	Rev. Appr. By	ECM No.



DETAIL B
SCALE 4 : 1



SECTION A-A

Pitch=7,264mm/360° 2 start

All drawings and technical documents for the manufacture of the goods or parts thereof, which the Party submitted remain the transferring Party's (intellectual) property. These may not, without the written consent of the Party (owner of the intellectual property), be used by the receiving Party, copied, reproduced, or otherwise disclosed to a third party.

Drawn by/Drawn date	Approved by/Approved date	Theoretical weight(g)	General Tolerance According to	Volume (cm3)	
	JS 2017-10-24		ISO 2768-m		
Owner	 Modulpac AB Västergatan 16 SE-341 50 Lagan Sweden Tel. +46-(0)372-25500 Fax. +46-(0)372-25501		Description		
			38 PVR NECK		
Drawing No	Format	Revision	Scale	Sheet	
	A3	0	2:1	1 (1)	