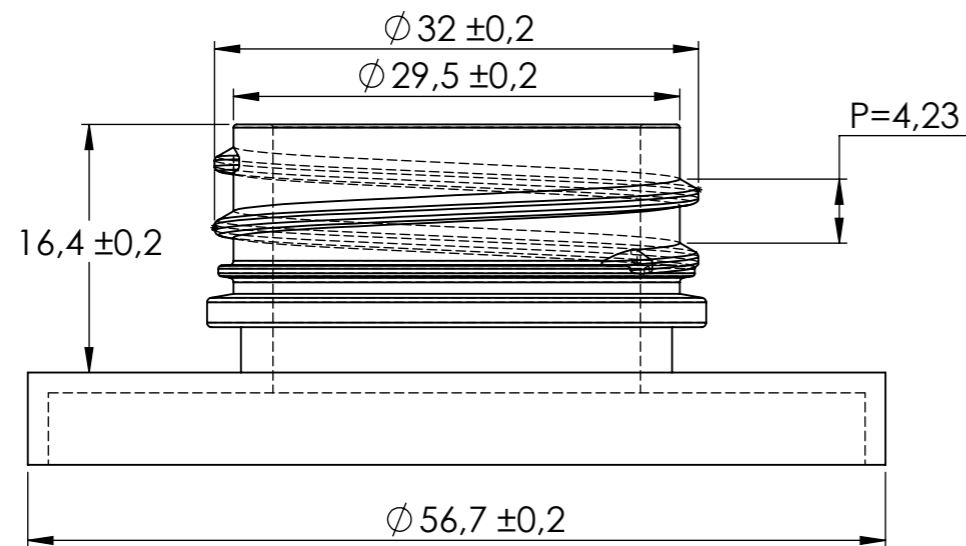


Issue	Engineer change notice	Date	Sign.	Appr.



Very Important

The neck dimensions shown are those which have generally been found to be functional but each closure/finish system should be individually evaluated. Neck finishes having dimension outside these ranges can also be appropriate for use, therefore the bottle neck drawing is only a recommendation.

This recommendation is for following closures: 335FTR, 336FTR, 339FTR

GENERAL TOLERANCE ACCORDING TO/
GENERELL TOLERANS ENL. :DIN 16901-140

Modulpac AB Västergatan 16 SE-341 50 Lagan Sweden tel. +46-(0)372-25500 fax. +46-(0)372-25501	Scale	Drawn by	Appr.		Material	Date
	2:1	MS				141114
	Name				Format	Issue
33-400 NECK				A3	0	
				Drawing No.		
				33-400 HALS		