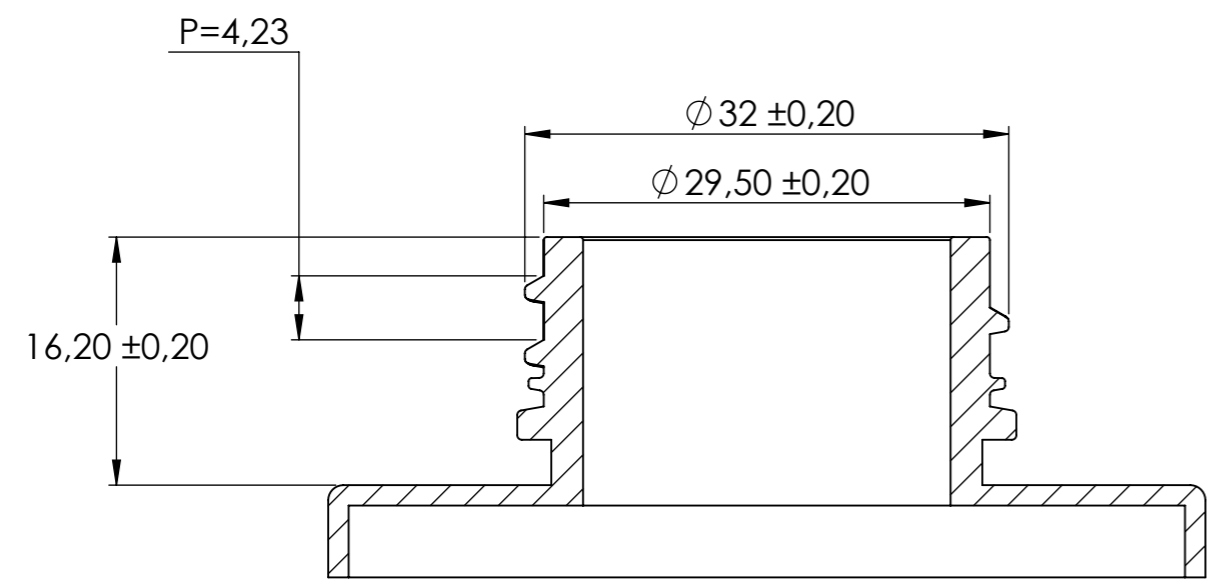
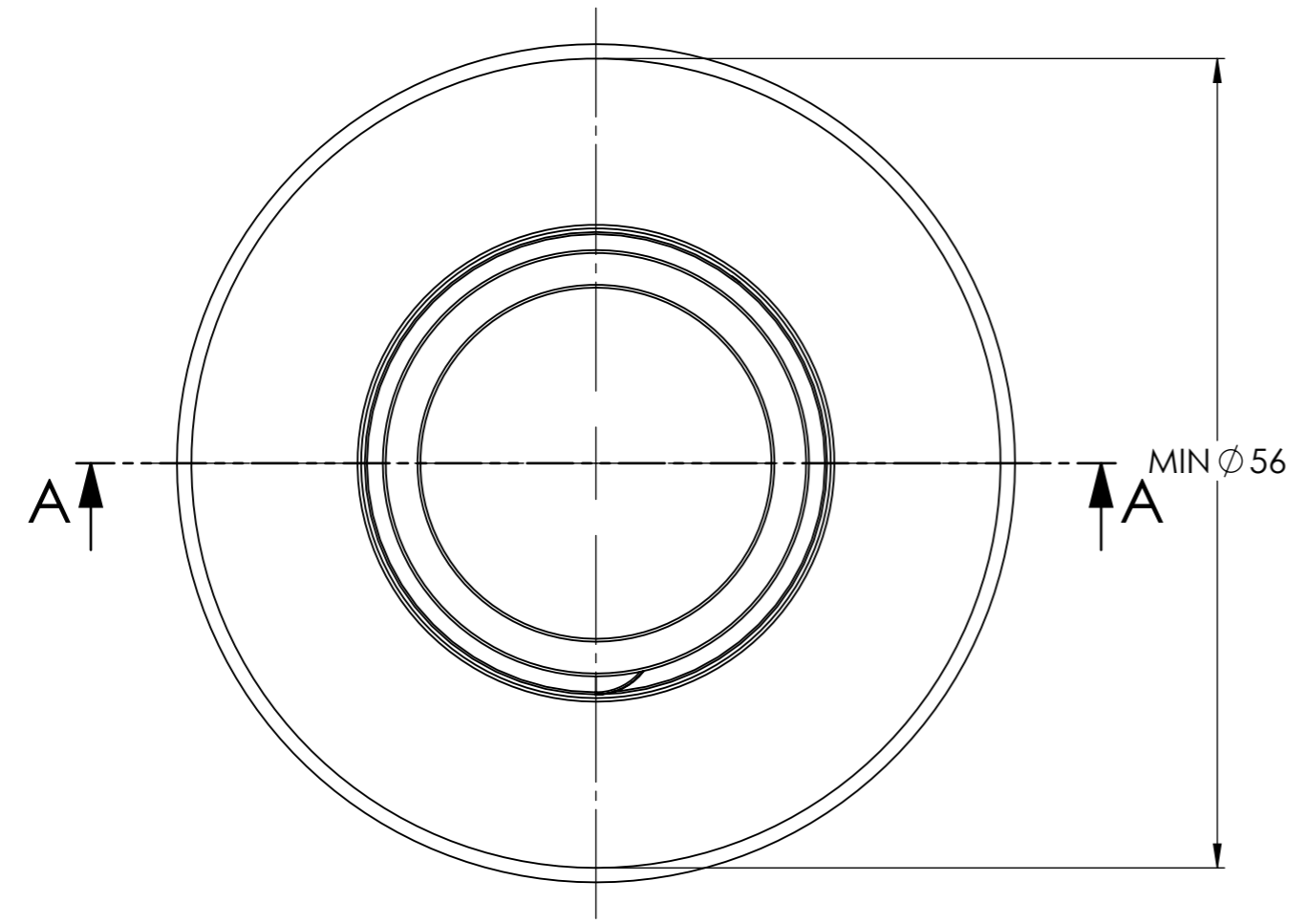


All drawings and technical documents for the manufacture of the goods or parts thereof, which the Party submitted remain the transferring Party's (intellectual) property. These may not, without the written consent of the Party (owner of the intellectual property), be used by the receiving Party, copied, reproduced, or otherwise disclosed to a third party.

Revision	Revised by	Rev. Appr. By	Rev. Appr. Date



SECTION A-A
SCALE 2 : 1



Very Important
The neck dimensions shown are those which have generally been found to be functional but each closure/finish system should be individually evaluated. Neck finishes having dimension outside these ranges can also be appropriate for use, therefore the bottle neck drawing is only a recommendation.

This recommendation is for following closures: 339FT, 336FT

Drawn by/Drawn date	Approved by/Approved date	Theoretical weight(g)	General Tolerance According to	Volume (cm3)	
	AL 2018-12-10		ISO 2768-m		
Owner	 Modulpac AB Västergatan 16 SE-341 50 Lagan Sweden Tel. +46-(0)372-25500 Fax. +46-(0)372-25501		Description		
			33-400 Neck		
Drawing No	Format	Revision	Scale	Sheet	
	A3	0	2:1	1 (1)	