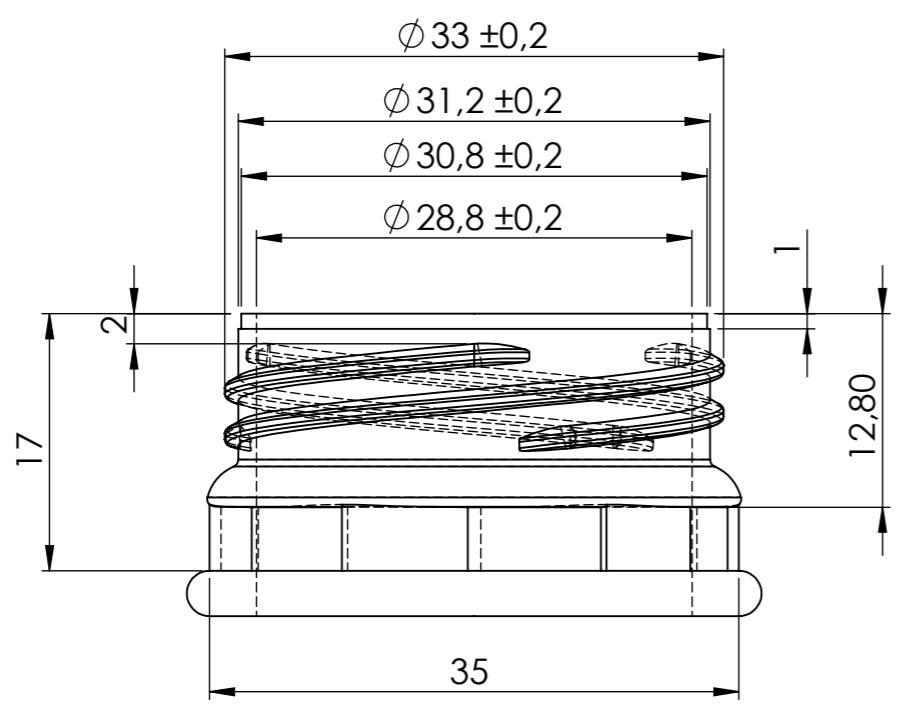


All drawings and technical documents for the manufacture of the goods or parts thereof, which the Party submitted remain the transferring Party's (intellectual) property. These may not, without the written consent of the Party (owner of the intellectual property), be used by the receiving Party, copied, reproduced, or otherwise disclosed to a third party.

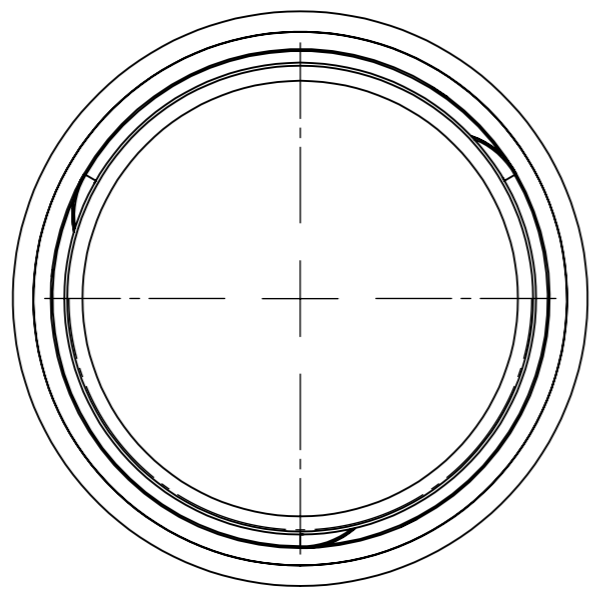
Revision	Revised by	Rev. Appr. By	Rev. Appr. Date




**Very Important**

The neck dimensions shown are those which have generally been found to be functional but each closure/finish system should be individually evaluated. Neck finishes having dimension outside these ranges can also be appropriate for use, therefore the bottle neck drawing is only a recommendation.

This recommendation is for following closure: 32PR



Drawn by/Drawn date <b>MS 2021-08-13</b>	Approved by/Approved date <b>AL 2021-08-16</b>	Theoretical weight(g)	General Tolerance According to <b>ISO 2768-m</b>	Volume (cm3)			
Owner  <b>Modulpac AB</b> Västergatan 16 SE-341 50 Lagan Sweden	Description <b>32PR Halsrekommendation</b>		Drawing No	Format <b>A3</b>	Revision <b>0</b>	Scale <b>2:1</b>	Sheet <b>1 (1)</b>
Tel. +46-(0)372-25500 Fax. +46-(0)372-25501							