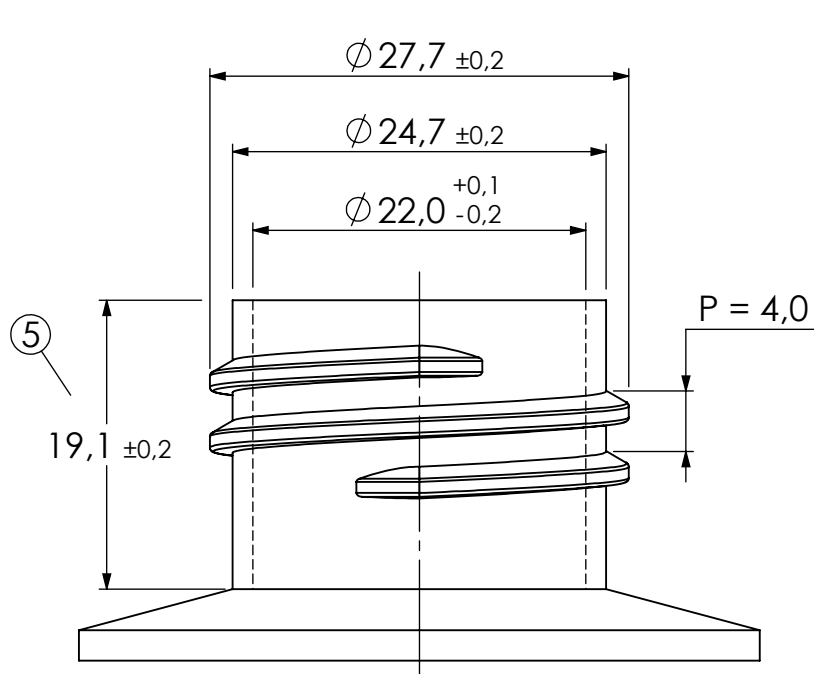


No.	Quantity	Changed / CS No	Date	Sign.	Appr.
1	1	General tolerance added	070315	JL	
2	1	New drawing, Note added	090409	JL	
3	1	Note added	100128	JL	
4	1	Changed note	101206	JL	
5	1	Changed height from 18,9 to 19,1	110103	JL	



Very Important

The neck dimensions shown are those which have generally been found to be functional but each closure/finish system should be individually evaluated. Neck finishes having dimension outside these ranges can also be appropriate for use, therefore the bottle neck drawing is only a recommendation.

This recommendation is for following closures: 28B, 28BI, 28BO, 28FT/FTR, 28KO, 28KS, (Spray insert 28SI)

① *General tolerance: SS-ISO 2768-1 m*

Modulpac AB Industrigatan 11 SE-340 14 Lagan Sweden tel. +46-(0)372-25500 fax. +46-(0)372-25501	Scale	Drawn by	Appr.		Material	Date
	2:1	UM				990826
	Name					Format
28 mm Neck std					A4	6
					Drawing No.	