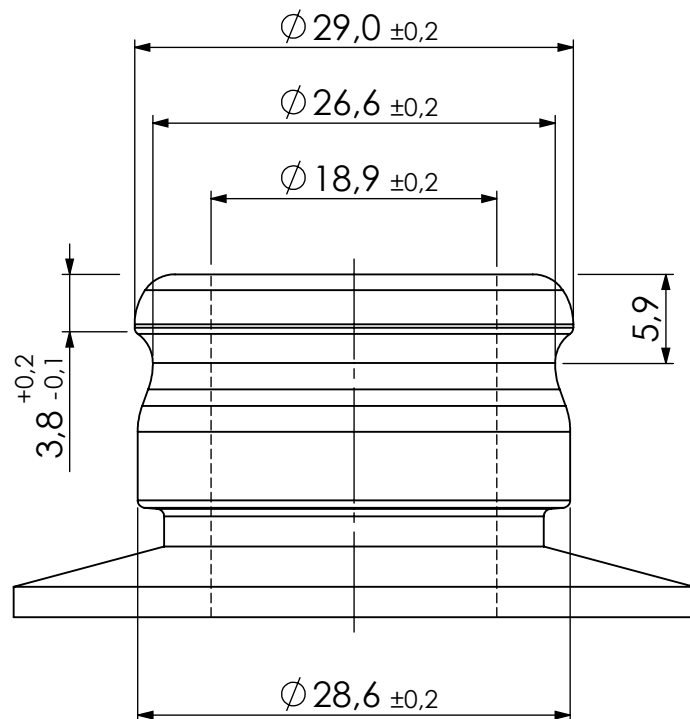


No.	Quantity	Changed / CS No	Date	Sign.	Appr.
-----	----------	-----------------	------	-------	-------



**Very Important**

The neck dimensions shown are those which have generally been found to be functional but each closure/finish system should be individually evaluated. Neck finishes having dimension outside these ranges can also be appropriate for use, therefore the bottle neck drawing is only a recommendation.

This recommendation is for following closure: 28AZ

General tolerance: SS-ISO 2768-1 m

<b>Modulpac AB</b> Industrigatan 11 SE-340 14 Lagan Sweden  tel. +46-(0)372-25500 fax. +46-(0)372-25501	Scale	Drawn by	Appr.		Material	Date
	2:1	JL				100811
	Name				Format	Issue
28AZ Neck				A4	1	
				Drawing No.		
				28AZHALS		

All drawings and technical documents for the manufacture of the goods or parts thereof, which the Party submitted remain the transferring Party's (intellectual) property. These may not, without the written consent of the Party (owner of the intellectual property), be used by the receiving Party, copied, reproduced, or otherwise disclosed to a third party.