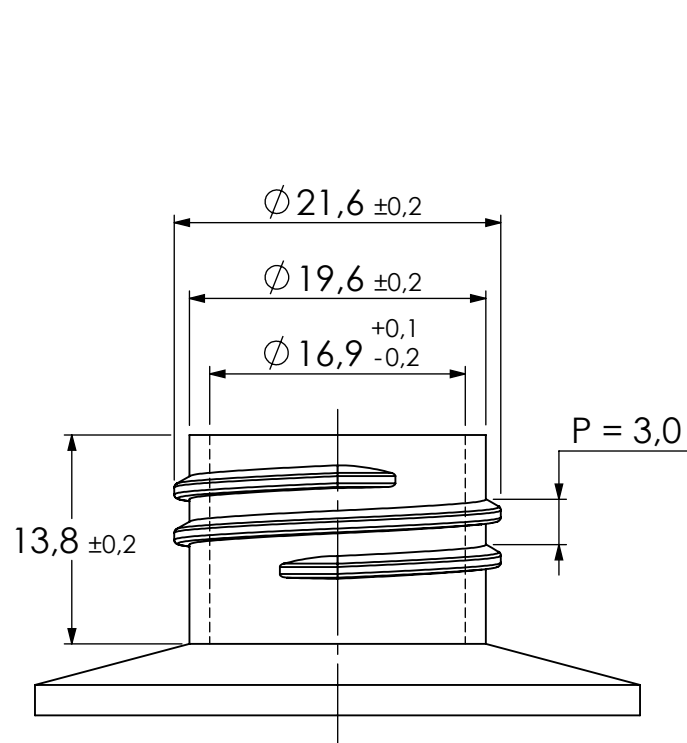


No.	Quantity	Changed / CS No	Date	Sign.	Appr.
1	1	General tolerance added	070316	JL	
2	1	New drawing, Note added	090409	JL	
3	1	Note added	100127	JL	



②

Very Important

The neck dimensions shown are those which have generally been found to be functional but each closure/finish system should be individually evaluated. Neck finishes having dimension outside these ranges can also be appropriate for use, therefore the bottle neck drawing is only a recommendation.

③

This recommendation is for following closures: 22K, 22KO

① *General tolerance: SS-ISO 2768-1 m*

Modulpac AB Industrigatan 11 SE-340 14 Lagan Sweden tel. +46-(0)372-25500 fax. +46-(0)372-25501	Scale	Drawn by	Appr.		Material	Date
	2:1	UM				990826
	Name				Format	Issue
22 mm Neck std				A4	4	
				Drawing No.		
				22HALS		